

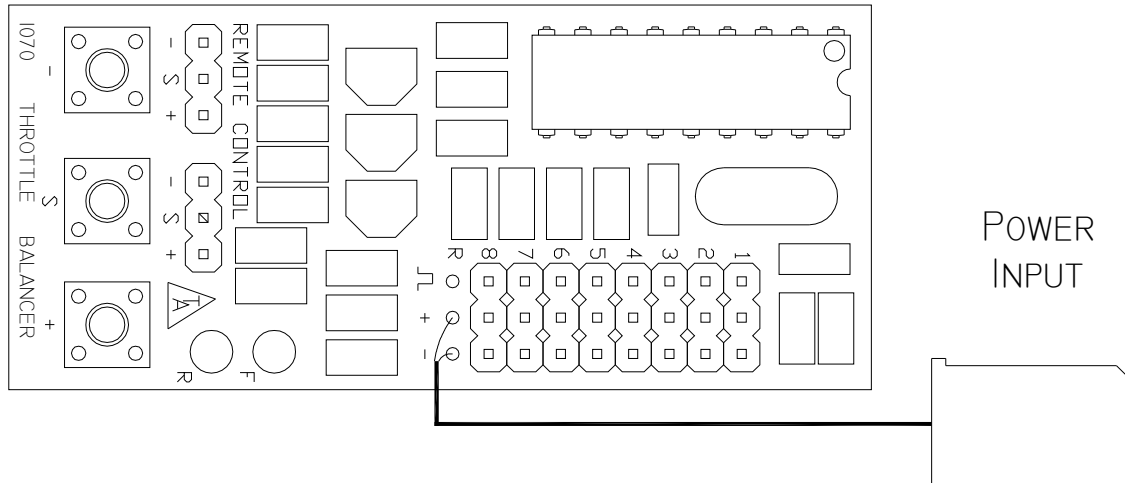


**Thomson  
Automation**

Input: Futaba Connector, Output: Pin Headers

## Servo Setup Controller

Generates Servo Signals  
8 Servo Outputs  
Non-volatile position memory



## User's Guide

### Introduction

The Thomson Automation Servo Setup Controller is useful tool for setting up servo and mechanical systems in radio-controlled airplanes and other model using standard radio-control servos. It can drive up to 8 servos and generates it's own signals. Each servo can be set to it's own position through the on-board pushbuttons and will stay there until it's changed. The unit features permanent storage of all settings and set positions are not lost with power-down.

### Connecting the module

Servos are plugged directly into the headers. Observe the polarity shown on the connection diagram. The cable is plugged into a Power source.

### Remote Control

A remote control module can be plugged into the unit. The remote control allows the pushbuttons and indicator lights to be mounted 30cm away from the module.

### Pushbuttons

The + and - pushbuttons are used for adjusting positions of each servo. The S pushbutton is used to select the servo to be adjusted.

### Setting The Position To Zero

To set a servo to the center position, push both + and - pushbuttons at the same time.

### Setting The Position To Maximum

To set a servo to the maximum + position, push both + and S pushbuttons at the same time. Push the + first to avoid selecting the next servo.

### Setting The Position To Minimum

To set a servo to the maximum - position, push both - and S pushbuttons at the same time. Push the - first to avoid selecting the next servo.

## Indicator LED

### 'F' LED

The 'F' LED flashes to indicate the selected servo. It also flashes quickly three times when new trim values are being permanently stored.

## Permanent Storage Of Positions

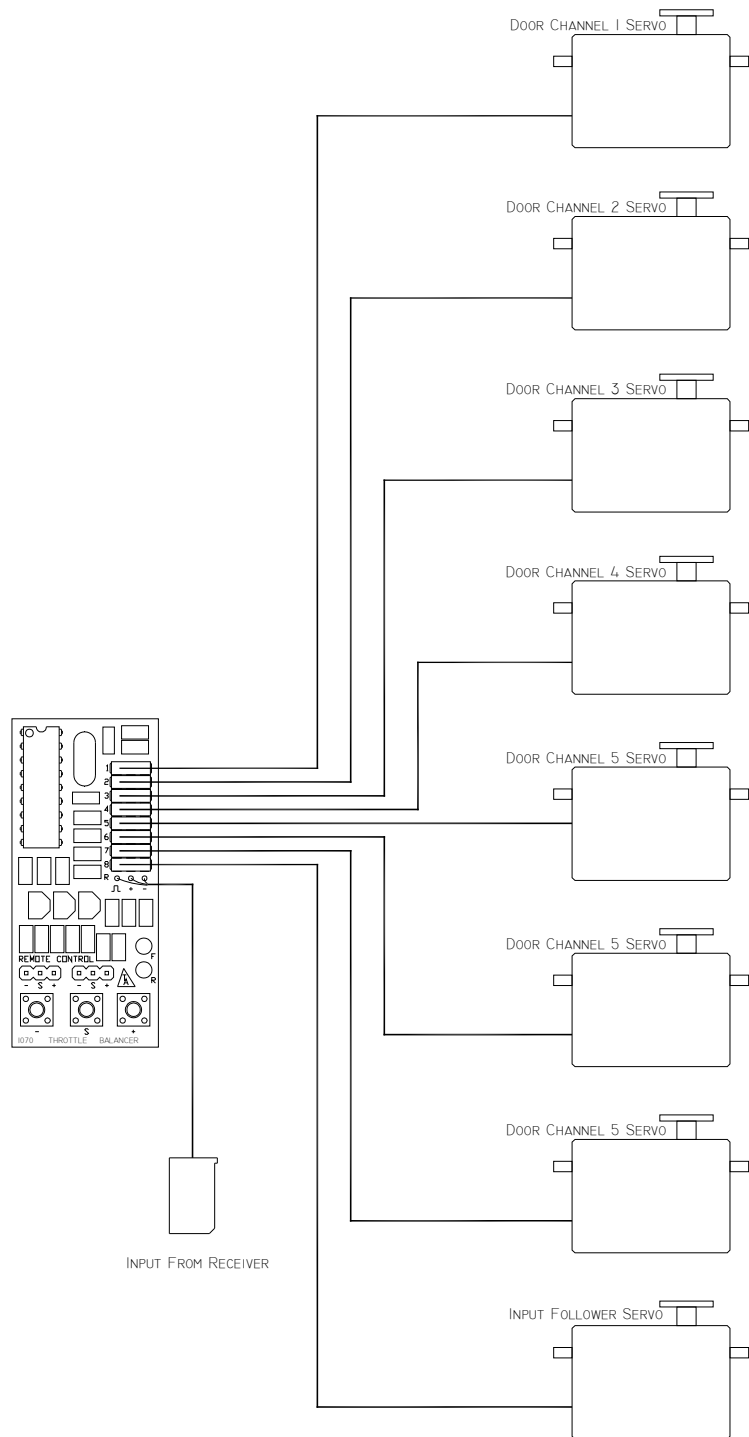
After position adjustments are made, if no buttons are pushed for 5 seconds, the new values will be permanently saved. The 'F' lamp will flash 2 times after the save operation.

## Specifications

Name	Servo Setup Controller
Part nr.	1070S
Hardware rev	1.4
Firmware rev	1.0
Supply Voltage	3.5V – 6.0V
Supply current	3 ma
Servo Channels	8 out
Indicator Channels	1
Receiver Control Signal	1.25V – 5V pulse
Weight	15 gm
Board Size	27 mm X 60 mm
Cable Length	29 cm

The Servo Setup Controller is intended for hobby use only. Thomson Automation is not responsible for any damage or injury that occurs through the use of this product.

## Connection Diagram



Make sure the + and – polarity of your servo cable matches the pins on the module