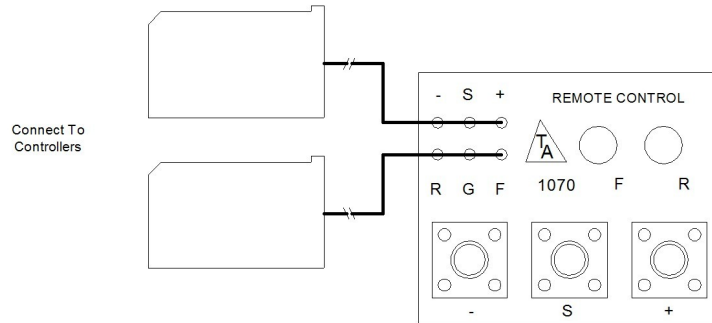




**Thomson
Automation**

Remote Control Panel

Remote operator's panel for all versions of 1070 and 1099 controllers



User's Guide

The Thomson Automation Remote Control Panel For our 1070 and 1099 series controllers allows a small light-weight control panel to be mounted up to 30 cm from the main controller. It functions the same as the buttons on the main controller and does not disable those buttons. It can be used with all versions of the 1070 and 1099 series Controllers.

Versions of the 1070 modules earlier than 1.10 require a different version of the Remote Control Panel.

Connecting the module

Plug the cables into the main board. Match up the pin names on both boards. There will be no damage to either module if the connectors are not plugged in properly but they will not work.

Pushbuttons and Indicator Lamps

The and pushbuttons and indicator lamps function exactly the same as in the main module. Consult the user's manuals for more information.

Specifications

Name	Remote Control Panel
Part nr.	1070PB
Hardware rev	1.0
Supply Voltage	From Main Module
Supply current	From Main Module
Indicator Channels	2
Pushbutton Channels	2
Weight	10 gm
Board Size	24 mm X 20 mm
Cable Length	29 cm

This remote control panel is intended for hobby use only. Thomson Automation is not responsible for any damage or injury that occurs through the use of this product.